

# LT50 Altus® RTS

## Star Head and Round Head Motors

<b>506S2</b>	1032500	<b>530R2</b>	1037507
<b>506S2RH</b>	1037519	<b>535A2</b>	1037509
<b>510S2</b>	1037501	<b>540R2</b>	1037510
<b>510S2RH</b>	1037521	<b>550R2</b>	1037511
<b>525A2</b>	1043287		

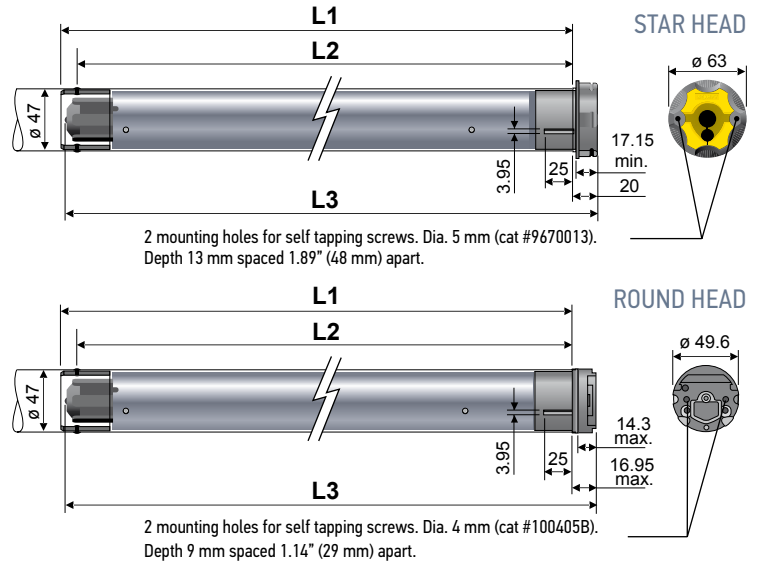


Radio Technology Somfy (RTS) allows for wireless radio control of motorized window coverings via the RTS family of controls.

### Technical Features

<b>Voltage Supply</b>	120V AC, 60Hz
<b>Index Protection Rating</b>	IP 44
<b>Limit Switch Type</b>	Electronic RTS
<b>Limit Switch Capacity</b>	250 Turns
<b>Temperature Working Range</b>	14°F to 104°F (-10°C to 40°C)
<b>Insulation Class</b>	Class 1 for 120V AC
<b>Wiring</b>	Integrated into power cord. Must be at least 12 inches and must not come in contact with metal.

### Dimensions



Dimensions	506	510	525	530	535	540	550
<b>L1</b>	23.82 in. (605 mm)	25.79 in. (655 mm)	25.79 in. (655 mm)	25.79 in. (655 mm)	26.57 in. (605 mm)	26.57 in. (605 mm)	26.57 in. (605 mm)
<b>L2</b>	23.23 in. (590 mm)	25.20 in. (640 mm)	25.20 in. (640 mm)	25.20 in. (640 mm)	25.98 in. (660 mm)	25.98 in. (660 mm)	25.98 in. (660 mm)
<b>L3</b>	SH 24.13 in. (613 mm) RH 24.02 in. (610 mm)	SH 26.10 in. (663 mm) RH 25.98 in. (660 mm)	26.10 in. (663 mm)	26.10 in. (663 mm)	26.89 in. (683 mm)	26.89 in. (683 mm)	26.89 in. (683 mm)
<b>Cable Length</b>	6.5 ft. (2 m)	6.5 ft. (2 m)	12.3 ft. (3.75 m)	6.5 ft. (2 m)	12.3 ft. (3.75 m)	6.5 ft. (2 m)	6.5 ft. (2 m)

Optional cables with NEMA plugs available in 3 ft, 6 ft, 10 ft, 12 ft, 18 ft, 24 ft.

### Specifications

	506	510	525	530	535	540	550
<b>Torque</b>	6 Nm	10 Nm	25 Nm	30 Nm	35 Nm	40 Nm	50 Nm
<b>Nominal Voltage</b>	120V/60Hz						
<b>Rated Current</b>	1.1A	1.3A	1.6A	1.5A	2.1A	1.8A	2.1A
<b>Speed</b>	38 rpm	38 rpm	20 rpm	14 rpm	20 rpm	14 rpm	14 rpm
<b>Thermal Protection</b>	5 minutes						
<b>Radio Frequency</b>	433.42 MHz						

### Type of power cable

**RTS 120V AC / 60 Hz**  
3 conductor cable

